



**BONN HUNGARY
ELECTRONICS**

**3 dB BROADBAND
850 - 2500 MHz
CROSS-HYBRID (COUPLER)**

BDEB10
NDS # 751

an ISO 9001 Certified Company



- **IDEAL FOR THE 900/1800 MHz GSM / DCS / UMTS SYSTEMS**
- **3 dB COUPLING**
- **COMPACT SIZE**

This broadband directional coupler is a universal building block which is intended for use to combine signals in the most common mobile systems. Due to its low losses and compact size it can be used effectively in these communication systems.

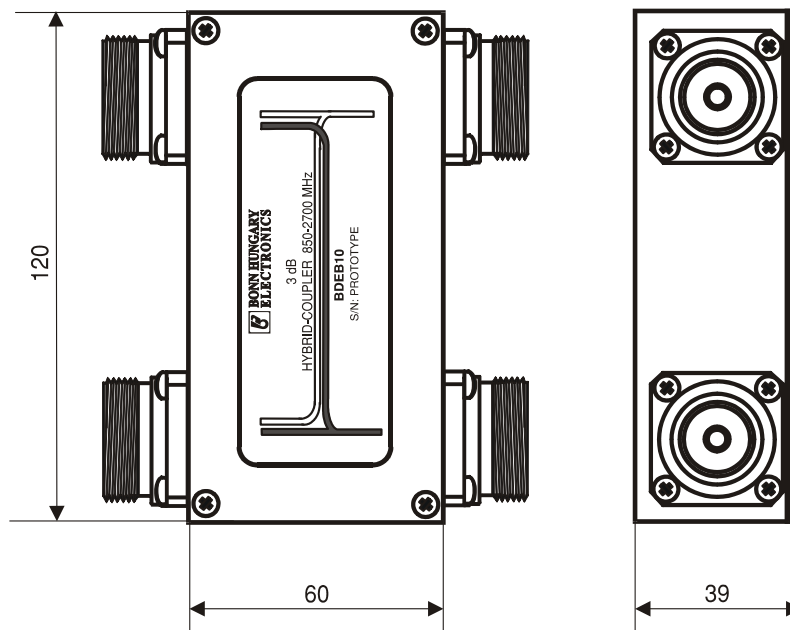
ELECTRICAL CHARACTERISTICS :

Frequency Band	850 to 2500 MHz
Nominal Coupling	3 dB
Coupling Ripple	± 0.5 dB
Insertion Loss (*)	typ. 0.2 dB, max. 0.5 dB
Isolation (Directivity)	min. 20 dB, typ. > 25 dB
Reflection	< -20 dB typ. < -25 dB
Max. Input Power	100 W
Connectors	7/16 – female (N connector optional)
Operating Temperature Range	- 30 to + 70°C

(*) above the theoretical 3 dB coupling loss

Specifications are subject to change without notice.

OUTLINE DIMENSIONS (mm):



BONN Elektronik 
RF Systems, Instruments and Components

Rudolf-Diesel-Str.18 · D-85521 Ottobrunn · Tel +49 (0)89/608 754-0 · Fax +49 (0)89/608 754-99
email: info@bonn-elektronik.com · home: www.bonn-elektronik.com