



**BONN HUNGARY  
ELECTRONICS**

**4/4 BROADBAND  
800 - 2500 MHz  
POWER COMBINER**

**BHET11**  
NDS # 716

an ISO 9001 Certified Company



- **IDEAL FOR THE GSM/DCS/UMTS SYSTEMS**
- **6 dB NOMINAL COUPLING**
- **HIGH POWER**
- **LOW PASSIVE INTERMODULATION LEVEL**
- **LOW DISSIPATIVE LOSS**

This broadband power combiner is a universal building block which is intended for use to combine or split signals in mobile telecommunications systems. Due to its low losses intermodulation level and small size it can be used effectively to combine 3 or 4 operators or base station to one common cable or antenna system.

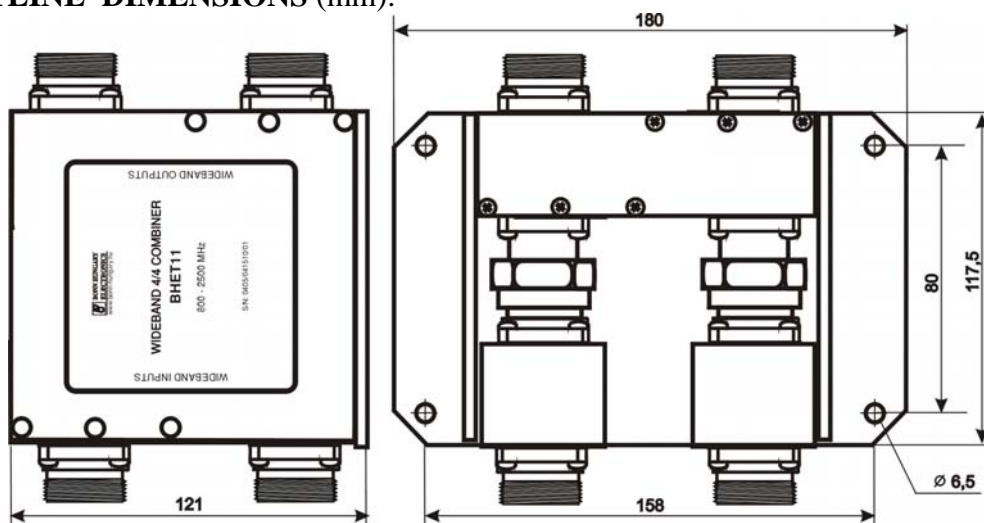
**ELECTRICAL CHARACTERISTICS :**

Frequency Band	800 to 2500 MHz
Nominal Coupling	6 dB
Coupling Ripple	< $\pm 0.5$ dB typ., max. 1 dB @ see curves
Insertion Loss (*)	< 0.3 dB typ., max. 0.7 dB
Isolation (Directivity)	> 25 dB typ., min. 20 dB
Reflection @ all port	< -25 dB typ., max. -20 dB
Measured 3th order IM products (**)	< -150 dBc typ.
Max. Input Power	80 W / input
Connectors	7/16 – female ( N connector optional )
Operating Temperature Range	- 30 to + 70°C

(\*) above the theoretical 6 dB coupling loss  
(\*\*) measured 2x40 dBm @ 950 MHz

Specifications are subject to change without notice.

**OUTLINE DIMENSIONS (mm):**



**BONN Elektronik**   
RF Systems, Instruments and Components

Rudolf-Diesel-Str.18 · D-85521 Ottobrunn · Tel +49 (0)89/608 754-0 · Fax +49 (0)89/608 754-99  
email: info@bonn-elektronik.com · home: www.bonn-elektronik.com