



**BONN HUNGARY  
ELECTRONICS**

**GSM DUAL BAND  
900/1800 MHz  
HIGH POWER SPLITTER**

**BHHD  
Family  
NDS # 702**

an ISO 9001 Certified Company



- **2 WAY 0° POWER DIVIDER / COMBINER**
- **IDEAL FOR THE DUAL 900/1800 MHz GSM SYSTEMS**
- **ECONOMICAL PRICE**
- **MULTIPLE ANTENNA FEED**

This dual band Power Splitter is an universal system building block. It is intended for use in the 900/1800 MHz GSM applications. It can be used for feeding multiple antennas in GSM communication systems.

**ELECTRICAL CHARACTERISTICS :**

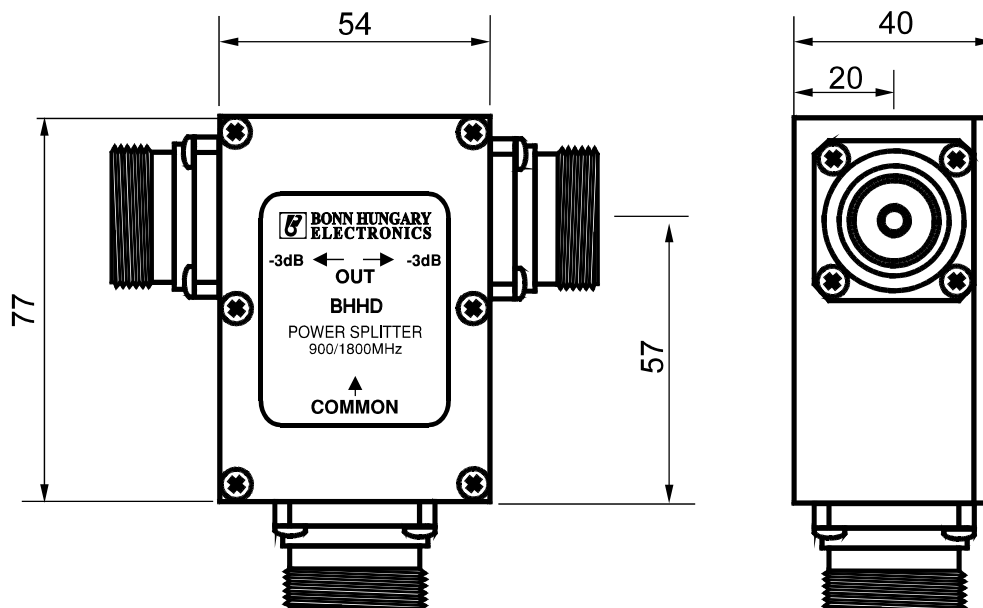
Frequency Band (*)	880 to 960 MHz	1710 to 1880 MHz
Reflection	< -20 dB	<-20 dB
Isolation	> 25 dB	> 25 dB
Insertion Loss (above theoretical 3 dB)	typ. 0.2 dB max. 0.3 dB	typ. 0.3 dB, max. 0.4 dB
Divider Max. Input Power	> 50 W @ VSWR < 6	
	30 W @ VSWR ∞	
Combiner Max. Input Power	2 x 15 W @ at any phase	
Amplitude Balance	± 0.1 dB	
Connectors	7/16 - female	
Operating Temperature Range	- 30 to + 70°C	

If the system mismatch is too high, proper heatsink is required to dissipate the power.

(\*) Other frequency ranges are available upon request.

Specifications are subject to change without notice.

**OUTLINE DIMENSIONS (mm):**



**BONN Elektronik**   
RF Systems, Instruments and Components

Rudolf-Diesel-Str.18 · D-85521 Ottobrunn · Tel +49 (0)89/608 754-0 · Fax +49 (0)89/608 754-99  
email: [info@bonn-elektronik.com](mailto:info@bonn-elektronik.com) · home: [www.bonn-elektronik.com](http://www.bonn-elektronik.com)